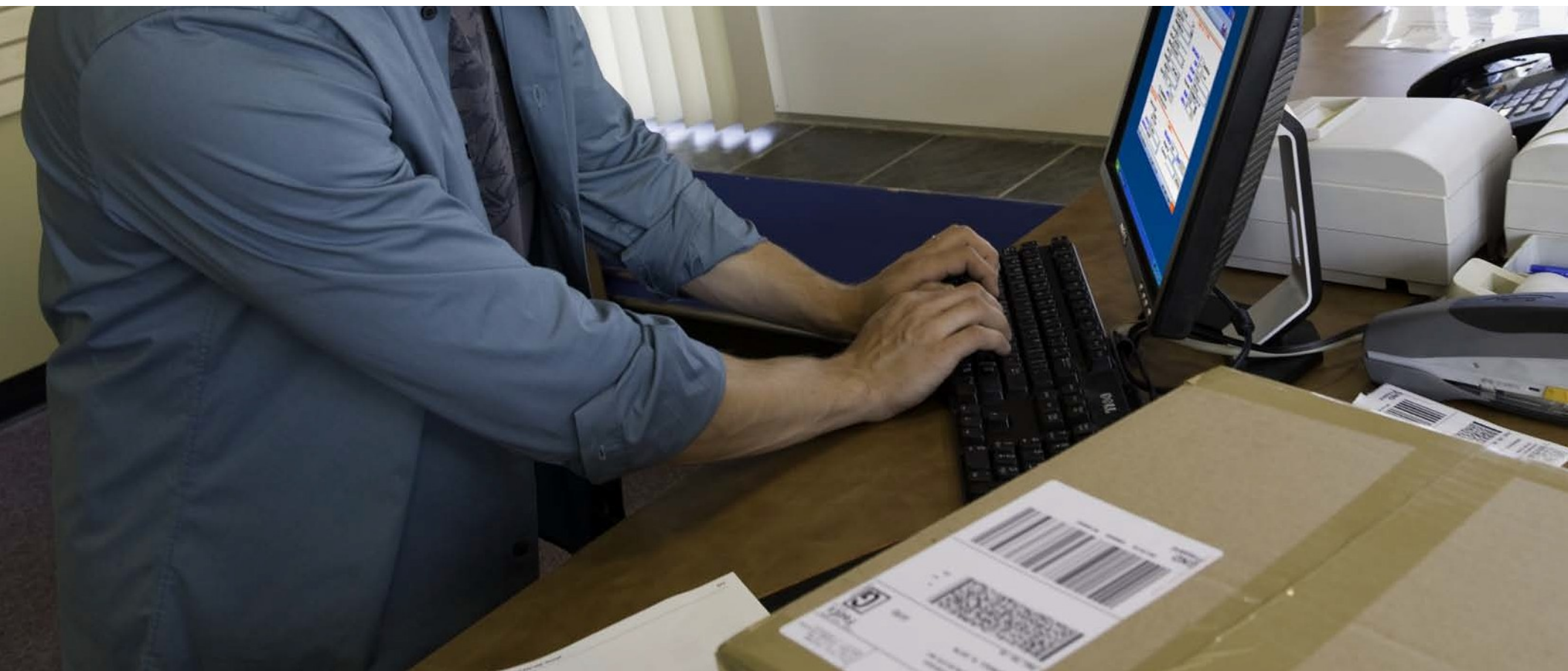




FedEx Ship Manager® Software  
FedEx Ship Manager® at [fedex.com](https://www.fedex.com)

Quick Installation Guide

# LP2844ThermalPrinter



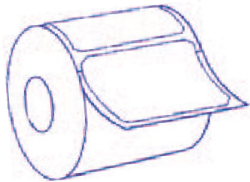
## Step 1: Confirm Printer Kit Contents

Your printer kit contains:

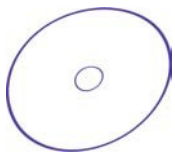
1. Thermal Printer



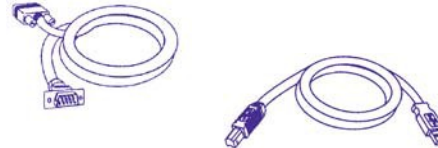
2. Thermal Labels



3. Zebra Printer Driver Install CD



4. Serial Cable OR USB Cable



5. Power Supply and Cord



6. The Clean Penn™



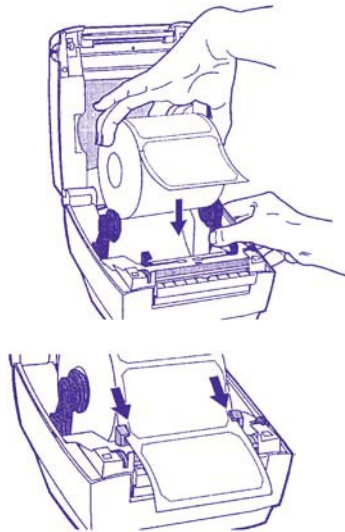
With the Clean Penn you can preserve print quality and extend print head life. You should use it to clean residue on the thermal print head whenever you are replacing a roll of labels.

## Step 2: Install Printer Labels

Install the printer labels as indicated in the steps below. The instructions can also be found in the inside of the top of the printer cover.

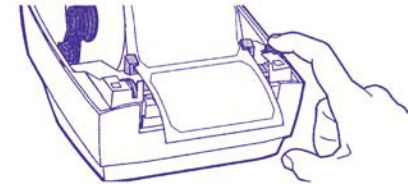
1. Open the printer by pressing the cover release buttons on the sides of the printer. Load the thermal printer labels as shown.

*Note: FedEx Ship Manager™ at fedex.com supports only nondoc-tab labels.*

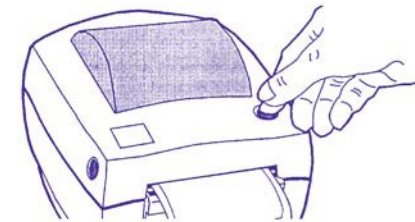


2. Feed the labels through the guides.

3. Adjust guides so that there is minimal space between the sides of the label and the guides themselves.



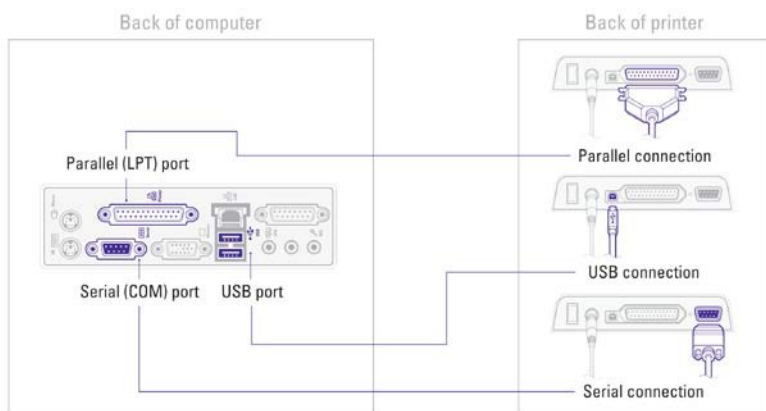
4. Close printer cover, connect power cord, then press the TAB FEED button to ensure the labels are installed correctly.



## Step 3: Connect the Printer to Your Computer

Turn off your computer before connecting printer. Connect the printer by using the supplied serial or USB cable. You may also use a parallel cable (not included).

*Note: USB cable cannot be used with FedEx Ship Manager at fedex.com*



## Step 4: Install the Printer Driver

After connecting the printer, turn your computer on, insert the Zebra Printer Driver Install CD and follow the instructions.

If you are using Microsoft® Windows® 7 (32-bit and 64-bit) operating systems, you must install the designated Zebra printer driver designed for those operating systems. Refer to the Printer Support Guide for current installation procedures.

## Step 5: Complete Setup

Now that you have installed the thermal printer driver, follow the instructions below to complete the setup of your thermal printer driver with the appropriate FedEx Ship Manager® solution:

If you are using FedEx Ship Manager at fedex.com:

1. Log in to FedEx Ship Manager at fedex.com. (Go to **fedex.com**, place your cursor over the **Ship** tab and select **Prepare Shipment** from the drop-down menu. The fedex.com Login screen displays.)
2. Click **Preferences** at the top of the screen.
3. In the Printer and Scale Options area of the Preferences screen, click the **Thermal Printer** radio button or click **Setup thermal printer**. The Thermal printer setup instructions screen displays.
4. Follow the steps on the Thermal printer setup instructions screen to set up your thermal printer, including printing a test page to ensure the printer is properly configured.

*Note: To prevent printing problems, you must comply with the Java requirements listed in the thermal printer setup instructions. To access the Java requirements for the LP 2844 thermal printer, click **Detailed instructions** on the Thermal printer setup instructions screen. When the resulting screen displays, click **FedEx Ship Manager at fedex.com – Thermal Label Printer Selection**. Scroll through the Frequently Asked Questions section and locate the “What are the minimum hardware requirements?” question. The current Java requirements for the LP 2844 thermal printer are located in the LP 2844 minimum hardware requirements list.*

5. Once completed, click **Done** and then click **Save changes** on the Preferences screen.

If you are using FedEx Ship Manager® Software and have not installed the software insert the FedEx Ship Manager Software CD and follow the installation instructions.

If you are using FedEx Ship Manager Software and have already installed the software:

1. Launch FedEx Ship Manager Software.
2. From the tool bar, click **Customize** and select **System Settings**.
3. Select the appropriate system number and click **modify**.
4. Select the **2 – FedEx Customer Admin** tab.
5. At the bottom of the screen in the section labeled Set Default Printers, click the printer icon next to the Label Printer field. Select the Zebra 2844 thermal printer driver you just installed and click **OK**.
6. Click **OK** to exit System Settings. To verify that the printer is properly configured, click **Utilities** from the tool bar and select **Printer Setup**. The label printer you just installed should display in the Label Printer section. If not, select the label printer from the drop-down menu. Click **Test Printer** and then click **OK**.